

JOB INFORMATION

Type: _____
 Catalog No: _____
 Project Name: _____
 Comments: _____
 Prepared by: _____

RULC

RULC

ADJUSTABLE LED UNDER CABINET (120–277V; 0–10V)
 WITH ANTIMICROBIAL FINISH

FEATURES

USE OF PRODUCT

The ideal product for energy-efficient lighting for retrofit or new construction applications. It is a great replacement for existing fluorescent, incandescent, halogen, or xenon under cabinet lighting.

COLOR TEMPERATURE SELECTABLE

Rayon Lighting's all-in-one correlated color temperature (CCT) selectable LED under cabinet allows for easy control between 2700K, 3000K, 3500K, 4000K, 5000K color temperature with a simple switch.

LED DRIVER

Integral 120–277V; 0–10V dimmable driver.

ELECTRICAL CONNECTION

RULC Series may be connected with direct wire or duplex plug. End-to-end connectors allow fixtures to be linked in a seamless, continuous row.

CONSTRUCTION

Housing constructed of aluminum with polycarbonate lens.

FINISH

Antimicrobial finish makes this an ideal fixture for healthcare applications.

ADJUSTABLE

Adjustable lens allows for easy direction of light.

OPTIONAL ACCESSORIES

Power cord, linkable connector with 0–10V dimmable driver cable (available in four different lengths), and motion sensor with built-in PIR.

LISTINGS/COMPLIANCE

- UL/cUL classified.
- Damp location rated.
- Energy Star certified.
- 5-year limited warranty.

WATT AND LUMEN CHART

LENGTH	WATTS	LUMENS
12"	6W	600 lm
24"	10W	900 lm
36"	15W	1200 lm
48"	20W	1550 lm



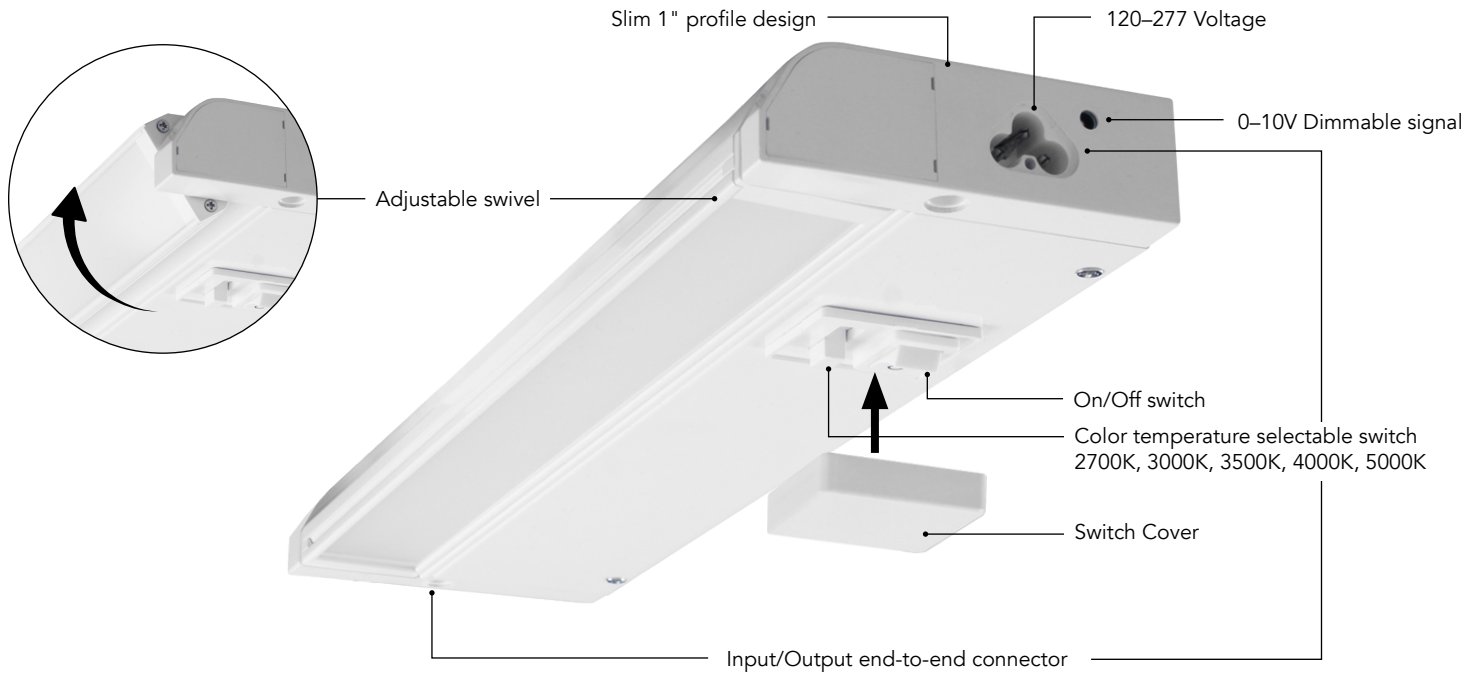
ORDERING INFO

SERIES	LENGTH	COLOR TEMPERATURE	FINISH	OPTIONS
RULC	12 - 12" 24 - 24" 36 - 36" 48 - 48"	5CTS - Color Temperature Selectable (2700K, 3000K, 3500K, 4000K, 5000K)	W - White	LC6-C6 - 6" Linkable Connector with 0–10V Driver Cable LC12-C12 - 12" Linkable Connector and 0–10V Driver Cable LC24-C24 - 24" Linkable Connector and 0–10V Driver Cable LC36-C36 - 36" Linkable Connector and 0–10V Driver Cable MS - Motion Sensor with Built-in PIR PC - White 6' Power Cord

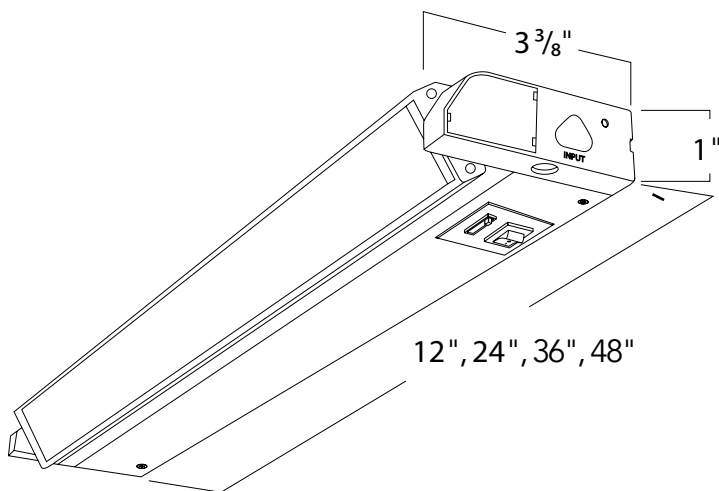
RULC

ADJUSTABLE LED UNDER CABINET (120-277V; 0-10V) WITH ANTIMICROBIAL FINISH

RULC ANATOMY



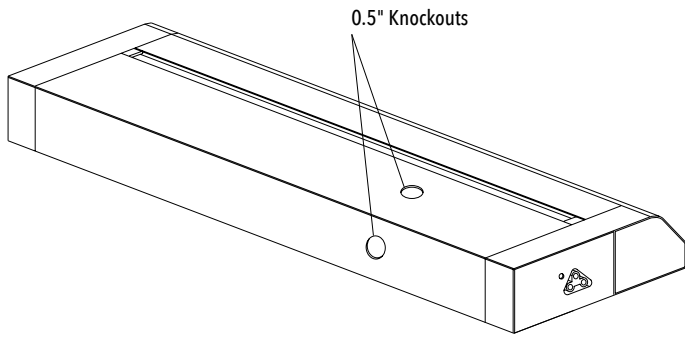
DIMENSIONS



RULC

ADJUSTABLE LED UNDER CABINET (120–277V; 0–10V) WITH ANTIMICROBIAL FINISH

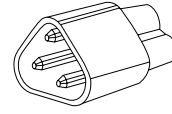
KNOCKOUTS



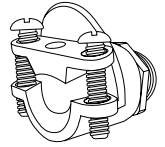
INCLUDED ACCESSORIES



0-10V Connector

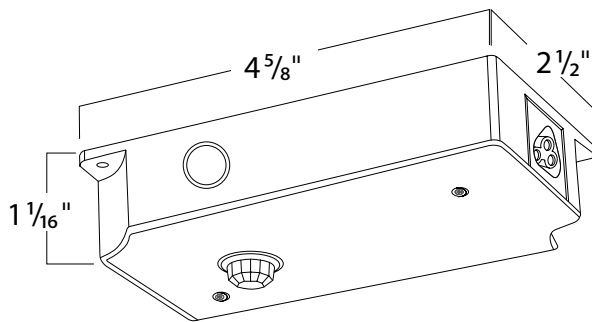


End-to-End Connector



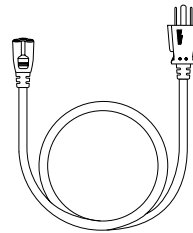
3/8" Die-cast Connector

MOTION SENSOR

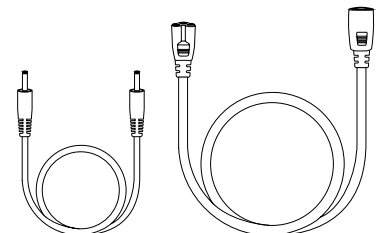


MS - Motion Sensor with Built-in PIR

OPTIONAL ACCESSORIES



PC120-W
White 6' Power Cord



LC6-C6
6" Linkable Connector with 0-10V Driver Cable
(Available in 6", 12", 24", and 36" lengths)